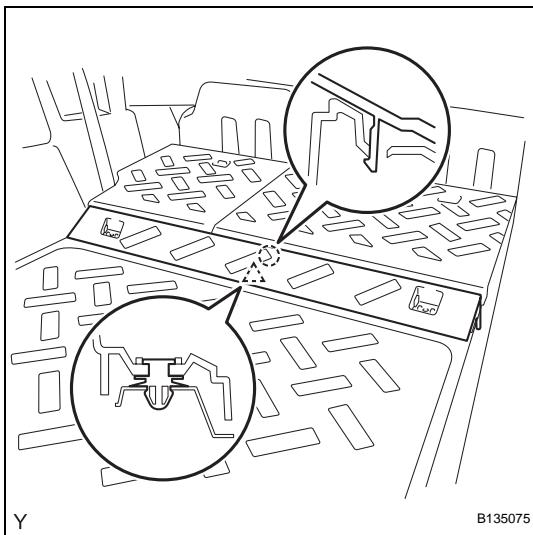
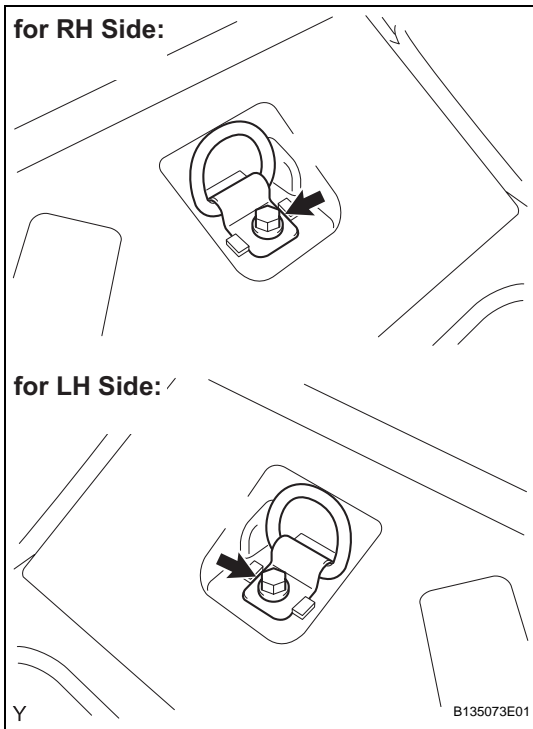


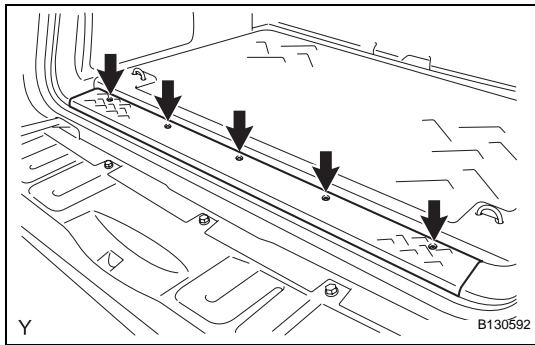
REMOVAL

1. DISCONNECT CABLE FROM NEGATIVE BATTERY TERMINAL
2. REMOVE REAR SEATBACK BOARD CARPET ASSEMBLY RH (See page [SE-43](#))
3. REMOVE REAR SEATBACK ASSEMBLY RH (See page [SE-43](#))
4. REMOVE REAR SEATBACK BOARD CARPET ASSEMBLY LH (See page [SE-29](#))
5. REMOVE REAR SEATBACK ASSEMBLY LH (See page [SE-29](#))
6. REMOVE REAR FLOOR BOARD
 - (a) Remove the bolt and the luggage hold belt striker.

HINT:
Use the same procedure for both sides.

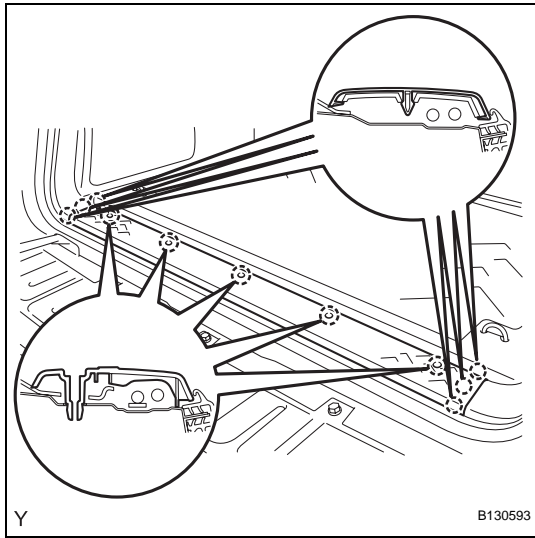


- (b) Disengage the clip and the claw and remove the rear floor board.

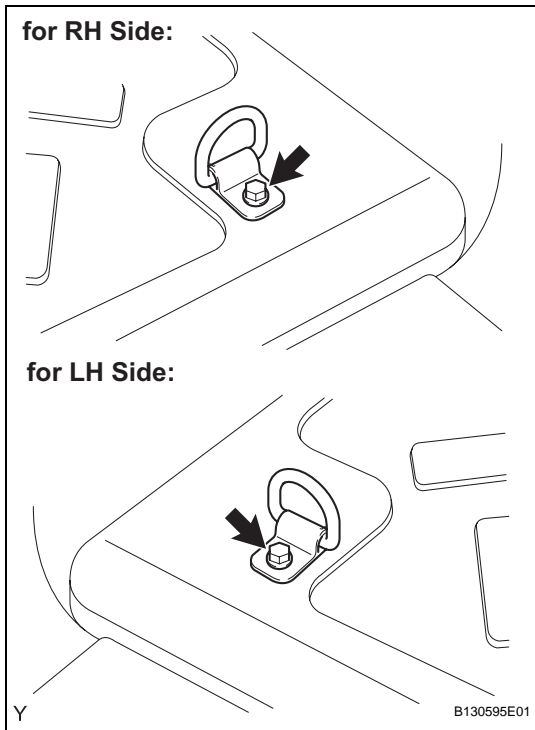


7. REMOVE REAR FLOOR MAT SUPPORT PLATE

(a) Remove the 5 screws.



(b) Disengage the 11 claws and remove the rear floor mat support plate.

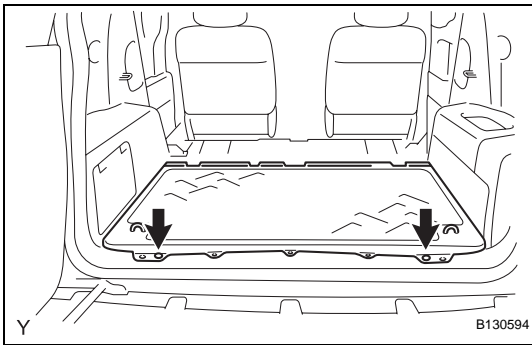


8. REMOVE LUGGAGE HOLD BELT STRIKER ASSEMBLY

HINT:

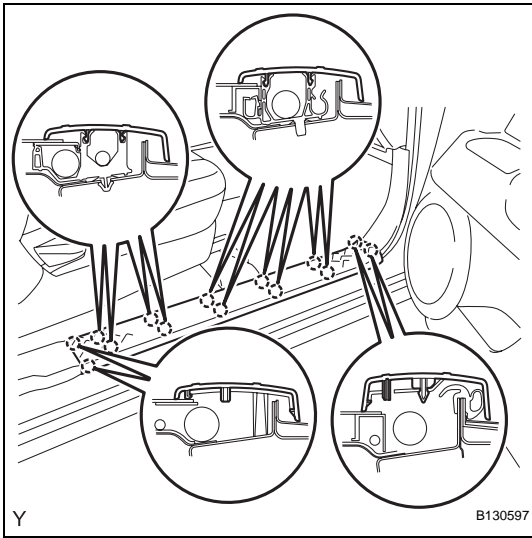
Use the same procedure for both sides.

(a) Remove the bolt and the luggage hold belt striker.



9. REMOVE REAR FLOOR MAT ASSEMBLY

- (a) Using a clip remover, remove the 2 clips and the rear floor mat.

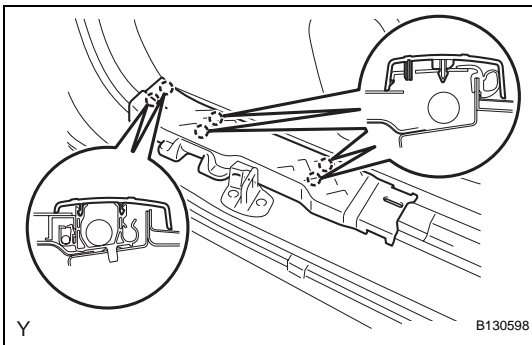


10. REMOVE FRONT DOOR SCUFF PLATE RH

- (a) Disengage the 14 claws and remove the front door scuff plate.

11. REMOVE FRONT DOOR SCUFF PLATE LH

- HINT:
Use the same procedure as for the RH side.



12. REMOVE ACCESS DOOR SCUFF PLATE RH

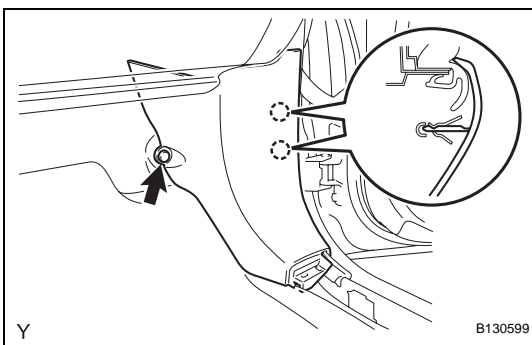
- (a) Disengage the 6 claws and remove the access door scuff plate.

13. REMOVE ACCESS DOOR SCUFF PLATE LH

- HINT:
Use the same procedure as for the RH side.

14. REMOVE FRONT FLOOR FOOTREST (See page IR-2)

15. REMOVE FOOTREST CLIP (See page IR-2)

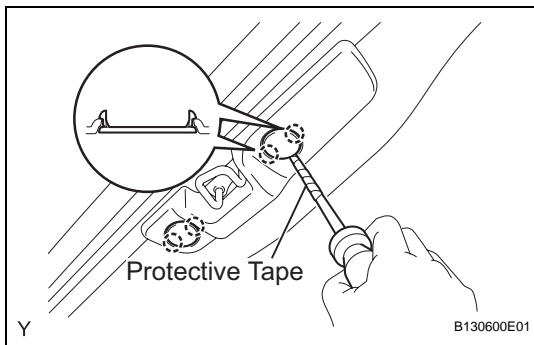


16. REMOVE COWL SIDE TRIM BOARD RH

- (a) Remove the clip.
- (b) Disengage the 2 claws and remove the cowl side trim board.

17. REMOVE COWL SIDE TRIM BOARD LH

- HINT:
Use the same procedure as for the RH side.

**18. REMOVE ROOF SIDE INNER GARNISH COVER RH**

HINT:

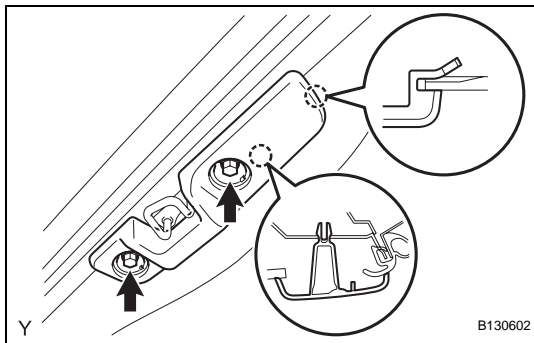
Use the same procedure for both sides.

- (a) Using a screwdriver with its tip wrapped in protective tape, disengage the 2 claws and remove the roof side inner garnish cover.

19. REMOVE ROOF SIDE INNER GARNISH COVER LH

HINT:

Use the same procedure as for the RH side.

**20. REMOVE ROOF SIDE RAIL GARNISH RH**

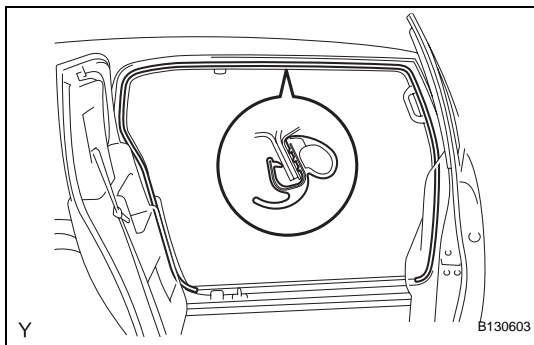
- (a) Remove the 2 bolts.

- (b) Disengage the 2 claws and remove the roof side rail garnish.

21. REMOVE ROOF SIDE RAIL GARNISH LH

HINT:

Use the same procedure as for the RH side.

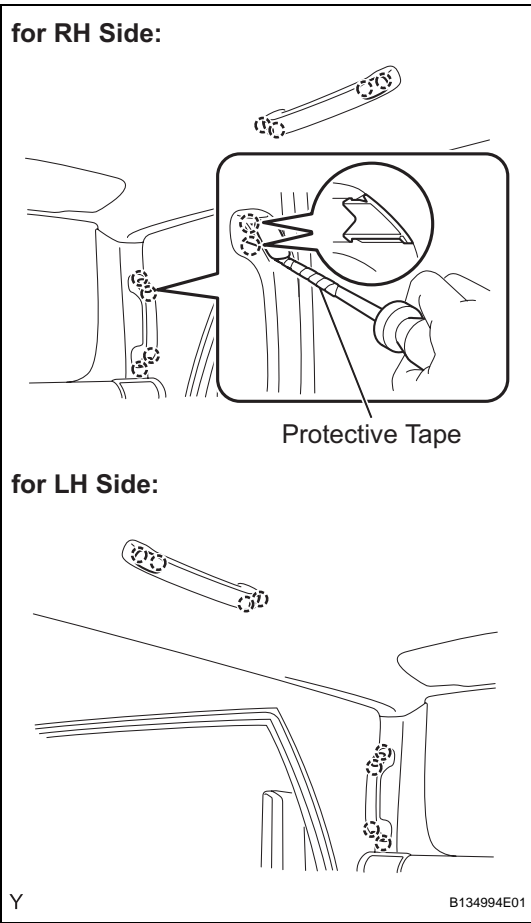
**22. REMOVE FRONT DOOR OPENING TRIM WEATHERSTRIP RH**

- (a) Remove the front door opening trim weatherstrip.

23. REMOVE FRONT DOOR OPENING TRIM WEATHERSTRIP LH

HINT:

Use the same procedure as for the RH side.

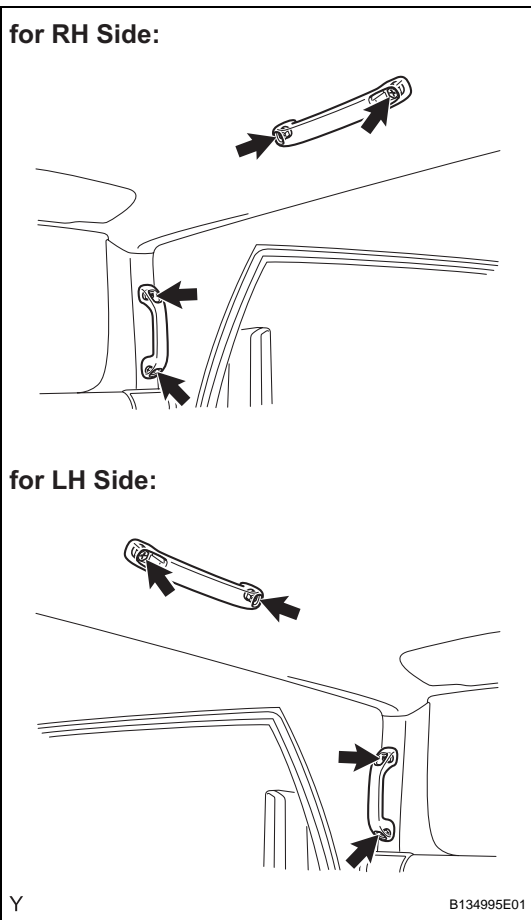


24. REMOVE ASSIST GRIP PLUG

HINT:

Use the same procedure to remove all the assist grip plugs.

- (a) Using a screwdriver with its tip wrapped in protective tape, disengage the 2 claws and remove the assist grip plug.

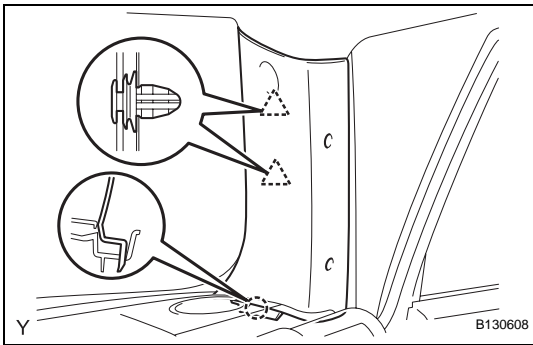


25. REMOVE ASSIST GRIP ASSEMBLY

HINT:

Use the same procedure to remove all the assist grips.

- (a) Remove the 2 screws and the assist grip.



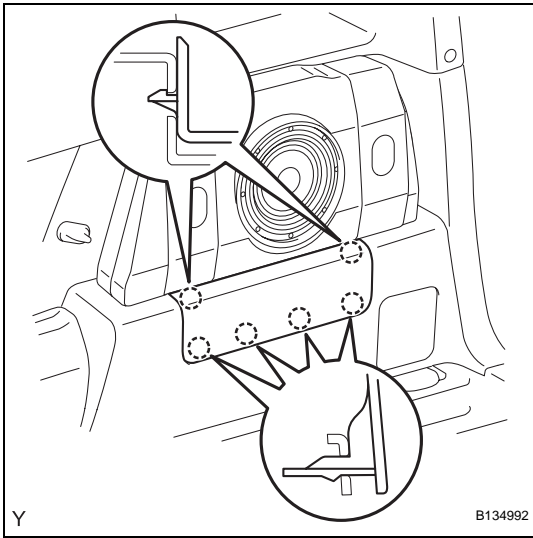
26. REMOVE FRONT PILLAR GARNISH RH

(a) Disengage the 2 clips and the claw and remove the front pillar garnish.

27. REMOVE FRONT PILLAR GARNISH LH

HINT:

Use the same procedure as for the RH side.

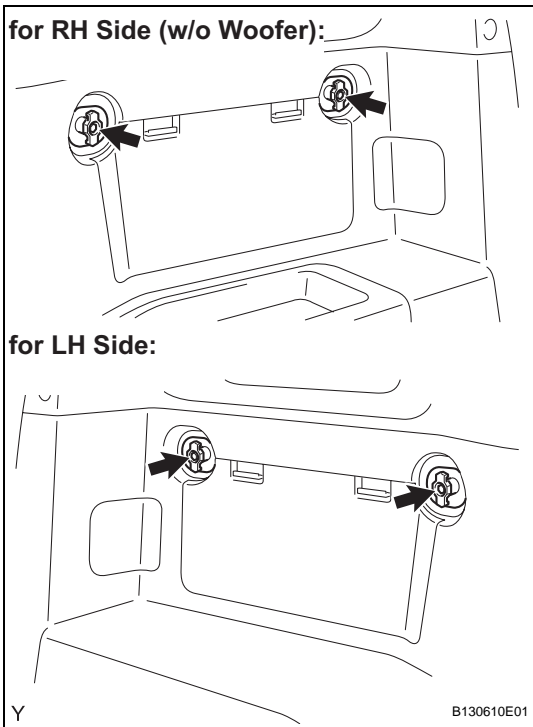


28. REMOVE DECK SIDE GARNISH (w/ Woofer)

(a) Disengage the 6 claws and remove the rear deck side garnish.

29. REMOVE SPEAKER MOUNTING COVER (w/ Woofer)
(See page AV-90)

30. REMOVE AMPLIFIER BOX SPEAKER ASSEMBLY (w/ Woofer) (See page AV-90)

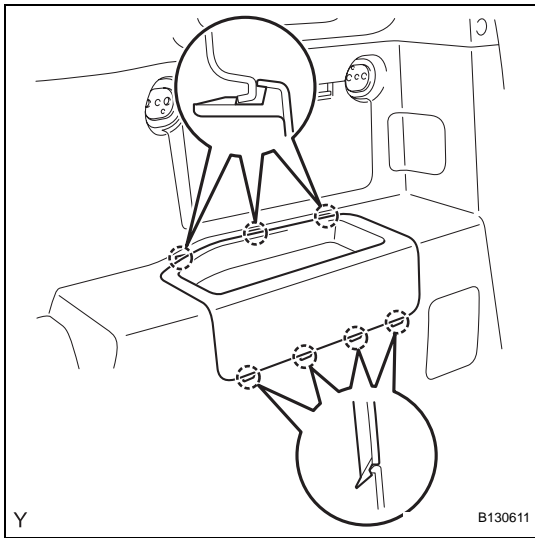


31. REMOVE PACKAGE HOLDER NET HOOK

HINT:

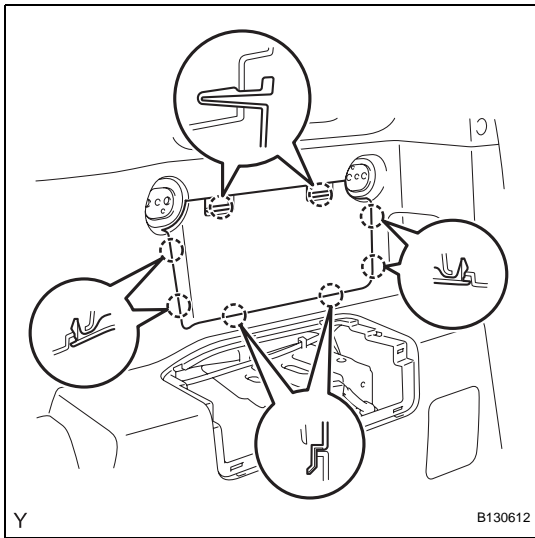
Use the same procedure to remove all the package holder net hooks.

(a) Remove the screw and the package holder net hook.



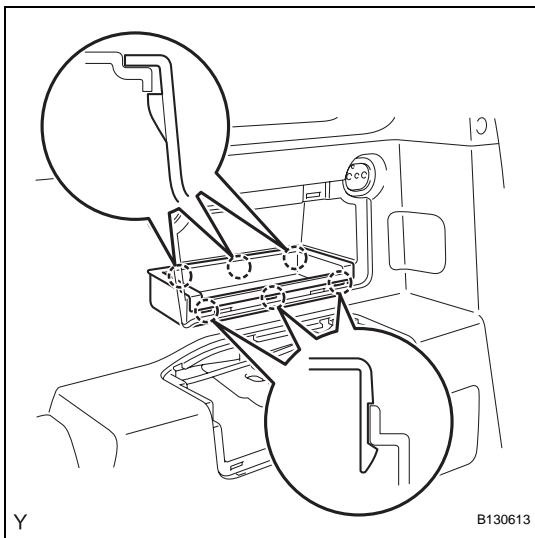
32. REMOVE QUARTER TRIM POCKET TRAY (w/o Woofer)

- (a) Disengage the 7 claws and remove the quarter trim pocket tray.



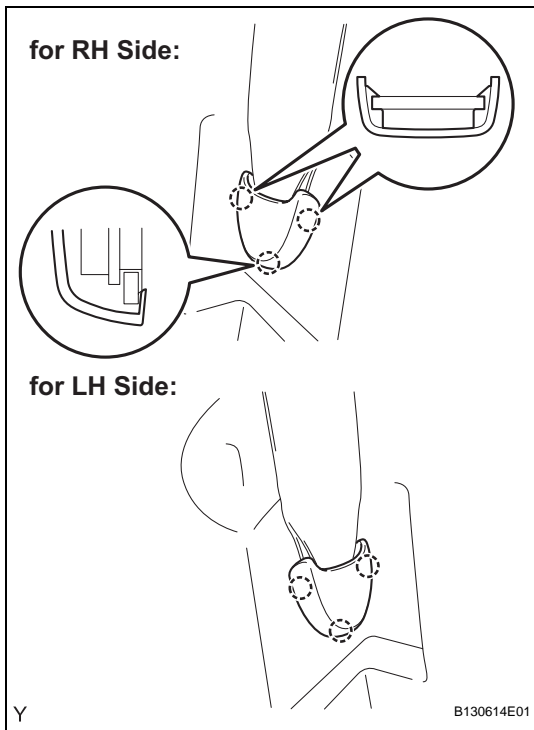
33. REMOVE SIDE TRIM COVER (w/o Woofer)

- (a) Disengage the 8 claws and remove the side trim cover.



34. REMOVE QUARTER TRIM POCKET (w/o Woofer)

- (a) Disengage the 6 claws and remove the quarter trim pocket.

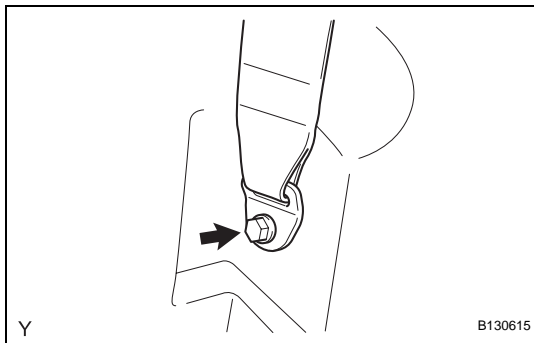


35. REMOVE LAP BELT OUTER ANCHOR COVER

HINT:

Use the same procedure for both sides.

- (a) Disengage the 3 claws and remove the lap belt outer anchor cover.



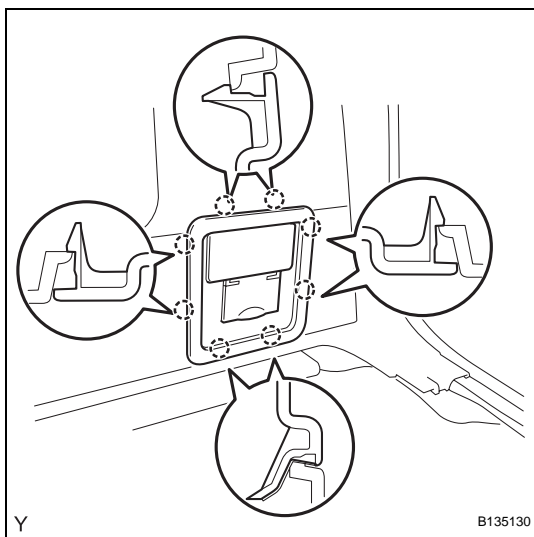
36. REMOVE REAR SEAT OUTER BELT ASSEMBLY RH

- (a) Remove the bolt and the anchor plate.

37. REMOVE REAR SEAT OUTER BELT ASSEMBLY LH

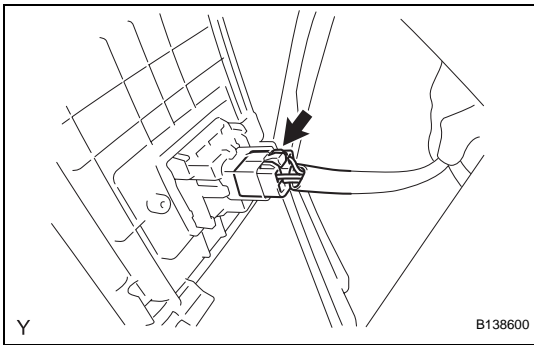
HINT:

Use the same procedure as for the RH side.

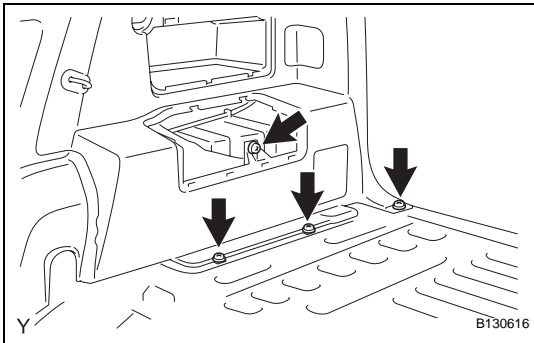


38. REMOVE REAR DECK TRIM COVER (w/ Power Outlet Socket)

- (a) Disengage the 8 claws and remove the rear deck trim cover.

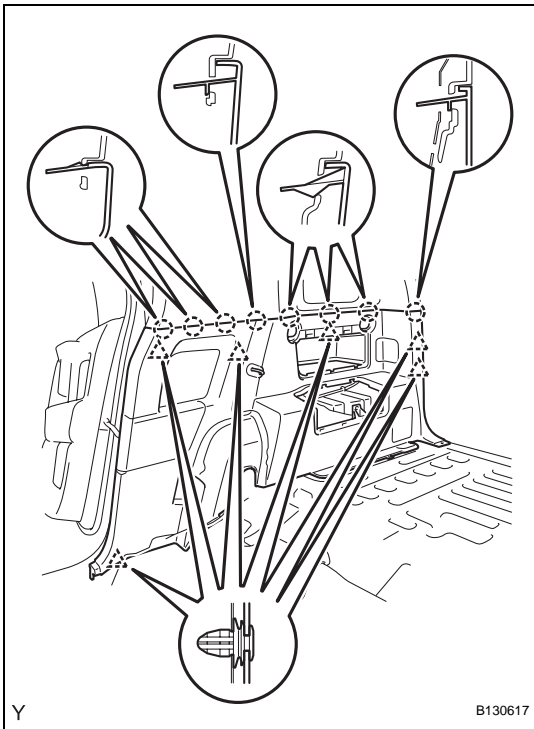


(b) Disconnect the power outlet connector.

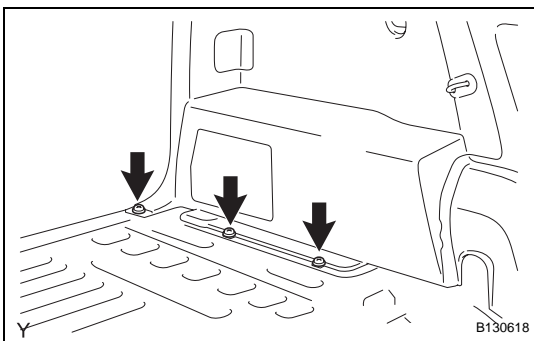


39. REMOVE DECK TRIM SIDE PANEL ASSEMBLY RH

(a) Remove the 4 screws.

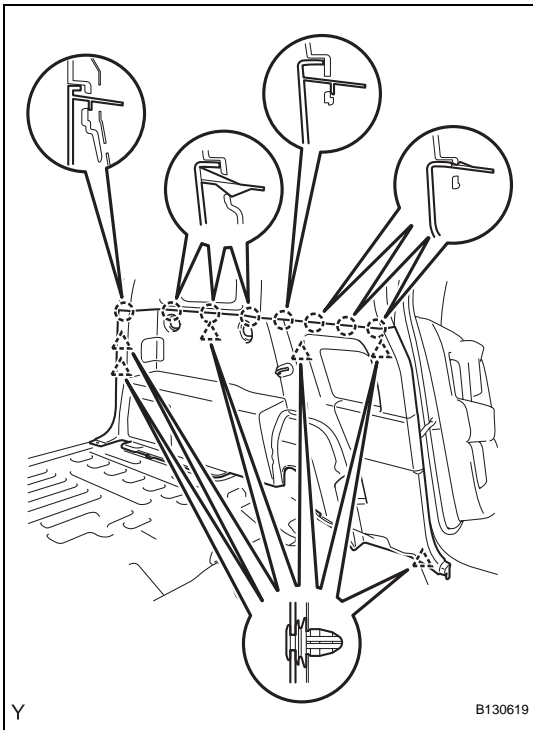


(b) Disengage the 6 clips and the 8 claws and remove the deck trim side panel.

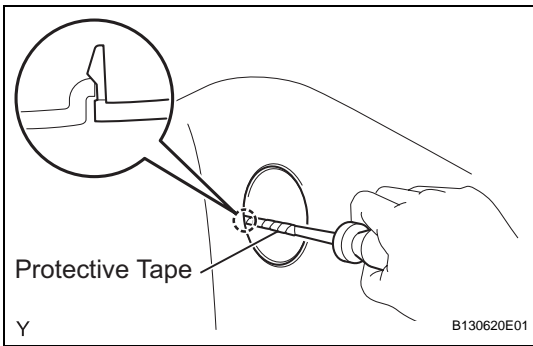


40. REMOVE DECK TRIM SIDE PANEL ASSEMBLY LH

(a) Remove the 3 screws.

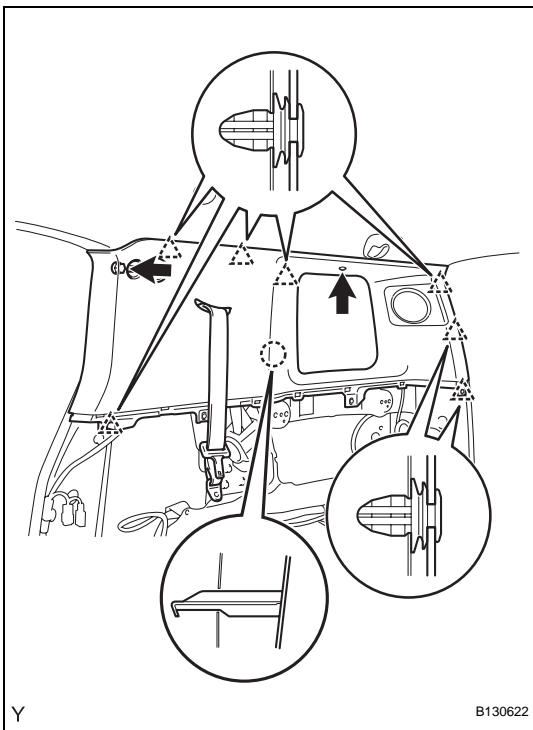


- (b) Disengage the 6 clips and the 8 claws and remove the deck trim side panel.



41. REMOVE ROOF SIDE INNER GARNISH RH

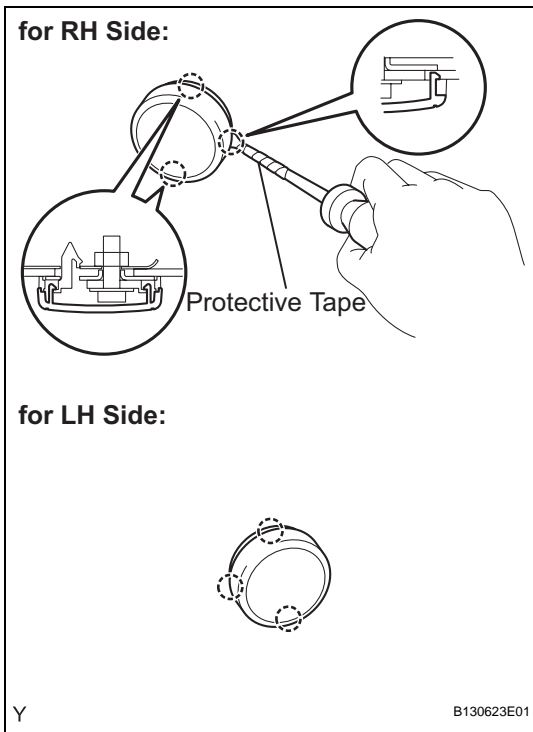
- (a) Using a screwdriver with its tip wrapped in protective tape, disengage the claw and open the cover.



- (b) Remove the bolt and the clip.
- (c) Disengage the 7 clips and the claw and remove the roof side inner garnish.
- (d) Pass the rear seat outer belt through the slit in the roof side inner garnish.

42. REMOVE ROOF SIDE INNER GARNISH LH

HINT:
Use the same procedure as for the RH side.

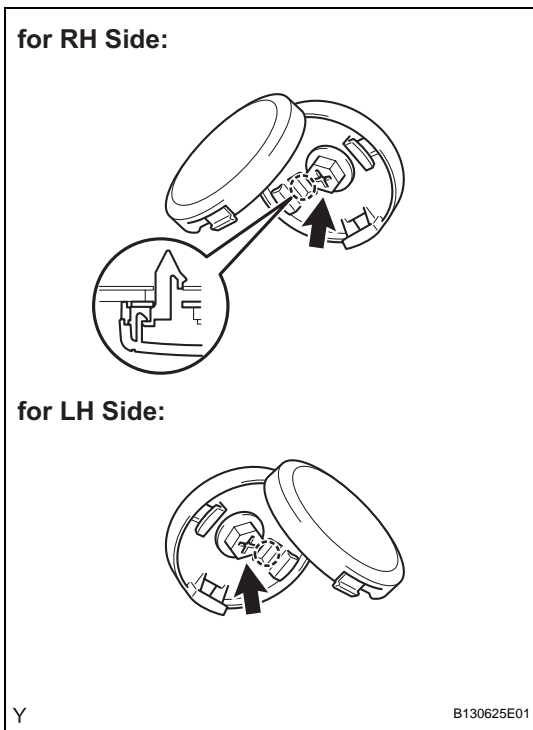


43. REMOVE ROOF HEADLINING HOLE PLUG

HINT:

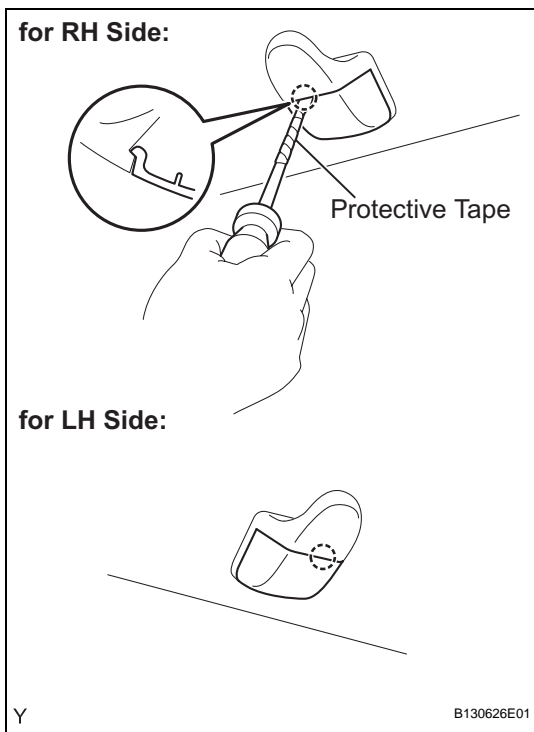
Use the same procedure for both sides.

- (a) Using a screwdriver with its tip wrapped in protective tape, disengage the 3 claws and open the cover.



- (b) Remove the bolt.

- (c) Disengage the claw and remove the roof headlining hole plug.

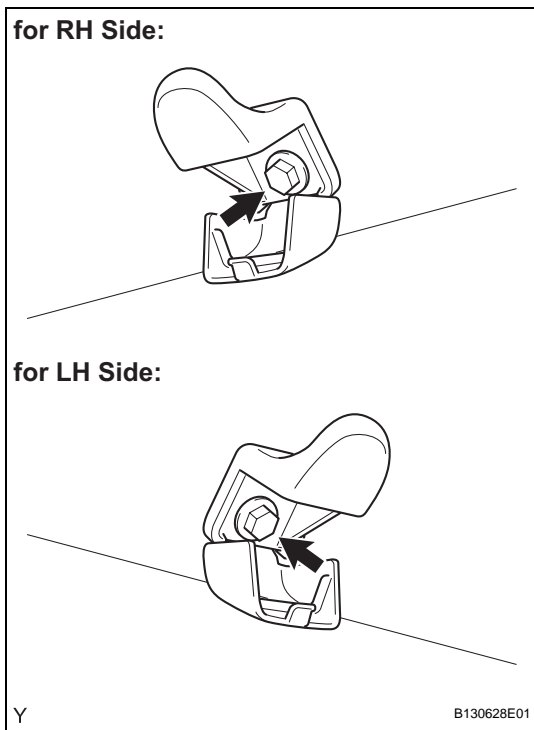


44. REMOVE COAT HOOK

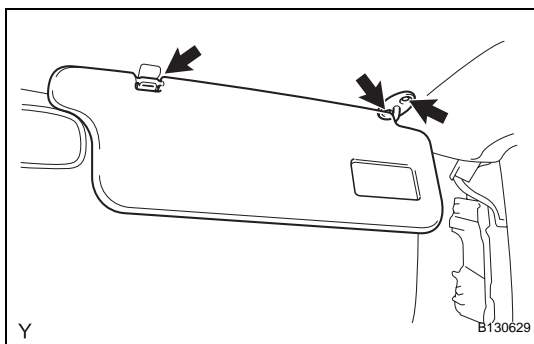
HINT:

Use the same procedure for both sides.

- (a) Using a screwdriver with its tip wrapped in protective tape, disengage the claw and open the cover.



- (b) Remove the bolt and the coat hook.



45. REMOVE VISOR ASSEMBLY RH

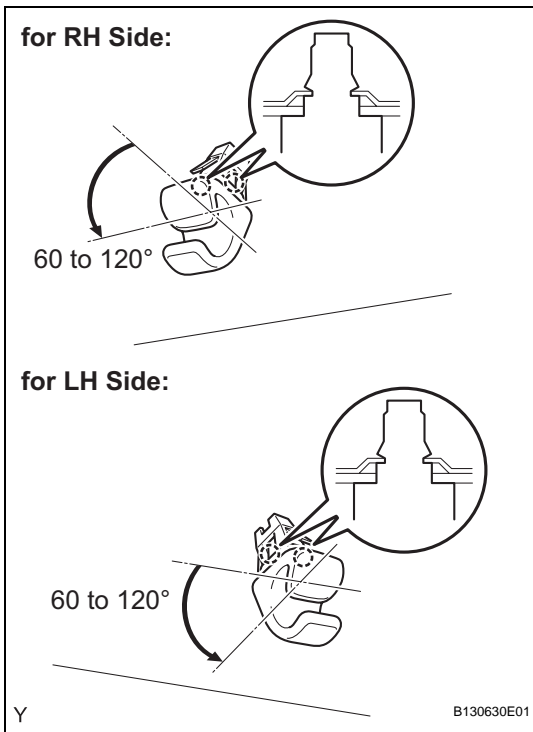
- (a) Remove the visor support shaft from the visor holder.

- (b) Remove the 2 screws and the visor.

46. REMOVE VISOR ASSEMBLY LH

HINT:

Use the same procedure as for the RH side.



47. REMOVE VISOR HOLDER

HINT:

Use the same procedure for both sides.

- (a) Disengage the 2 claws by turning the visor counterclockwise between 60 to 120° and remove the visor holder.

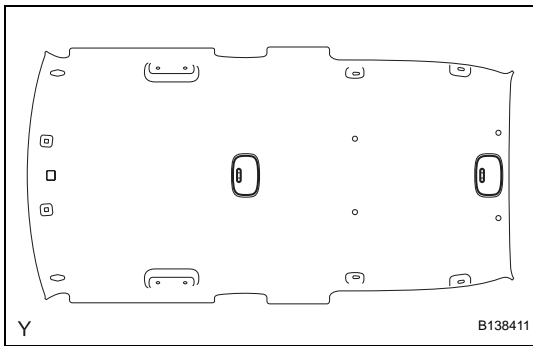
HINT:

The claw may be damaged during removal.

However, it is reusable because this does not effect its function.

48. REMOVE INNER REAR VIEW MIRROR STAY HOLDER COVER (See page MI-6)

49. REMOVE INNER REAR VIEW MIRROR ASSEMBLY (See page MI-6)

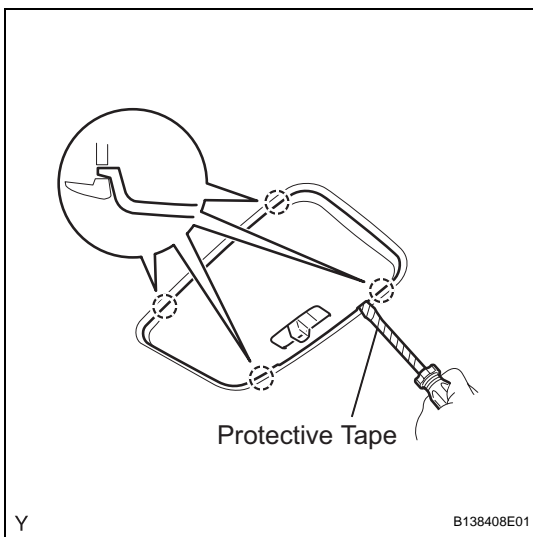


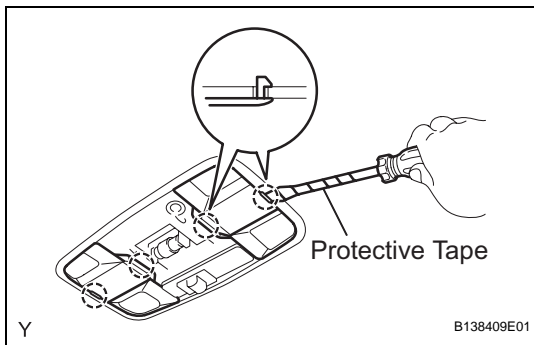
50. REMOVE ROOM LIGHT ASSEMBLY

HINT:

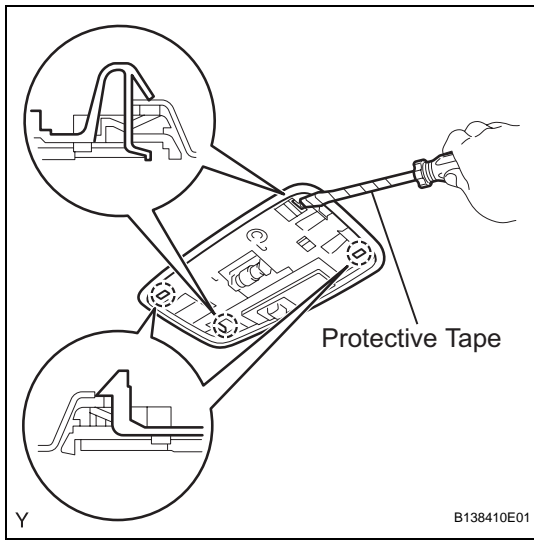
The procedure described below is for the front side. Use the same procedure for both the front and rear sides, unless otherwise specified.

- (a) Using a screwdriver with its tip wrapped in protective tape, disengage the 4 claws and remove the room light lens.

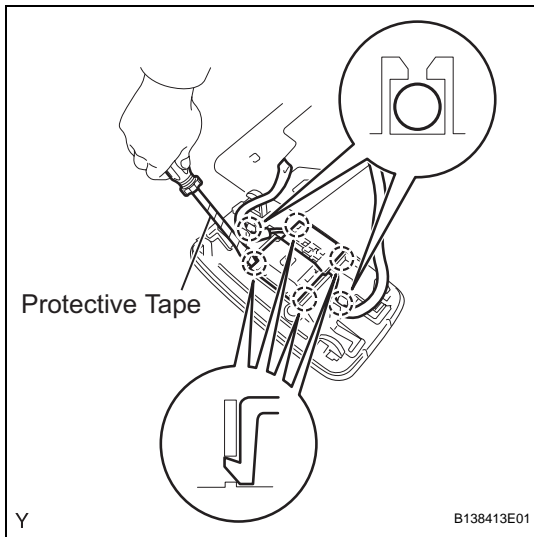




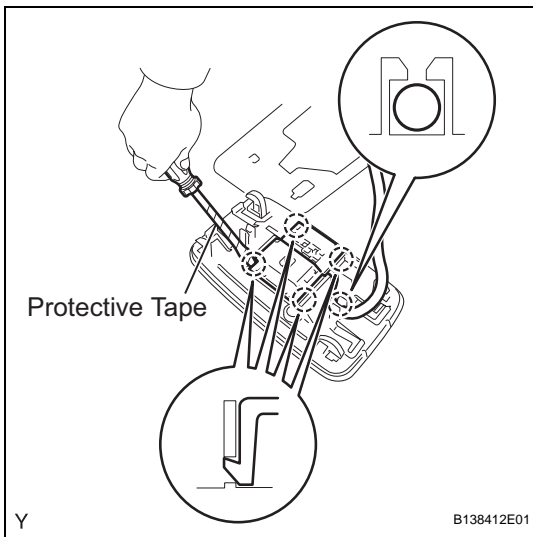
- (b) Using a screwdriver with its tip wrapped in protective tape, disengage the 2 claws and remove the cover.
HINT:
 Use the same procedure as for the opposite side.



- (c) Using a screwdriver with its tip wrapped in protective tape, disengage the 4 claws and remove the room light.



- (d) for Front Side:
 (1) Remove the 2 wire harnesses from the 2 claws of the room light.
 (2) Using a screwdriver with its tip wrapped in protective tape, disengage the 4 claws and remove the room light switch base.

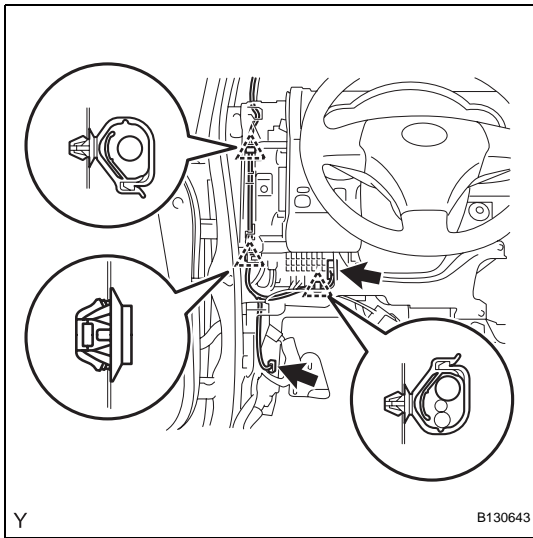


- (e) for Rear Side:
 - (1) Remove the wire harness from the claw of the room light.
 - (2) Using a screwdriver with its tip wrapped in protective tape, disengage the 4 claws and remove the room light switch base.

51. REMOVE INSTRUMENT PANEL REGISTER ASSEMBLY (See page IP-13)

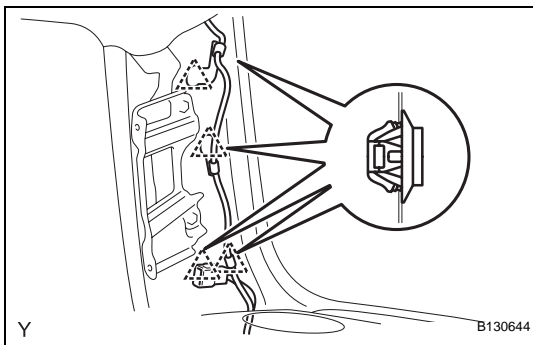
52. REMOVE HOOD LOCK CONTROL LEVER SUB-ASSEMBLY (See page IP-13)

53. REMOVE INSTRUMENT PANEL FINISH LOWER PANEL SUB-ASSEMBLY (See page IP-14)



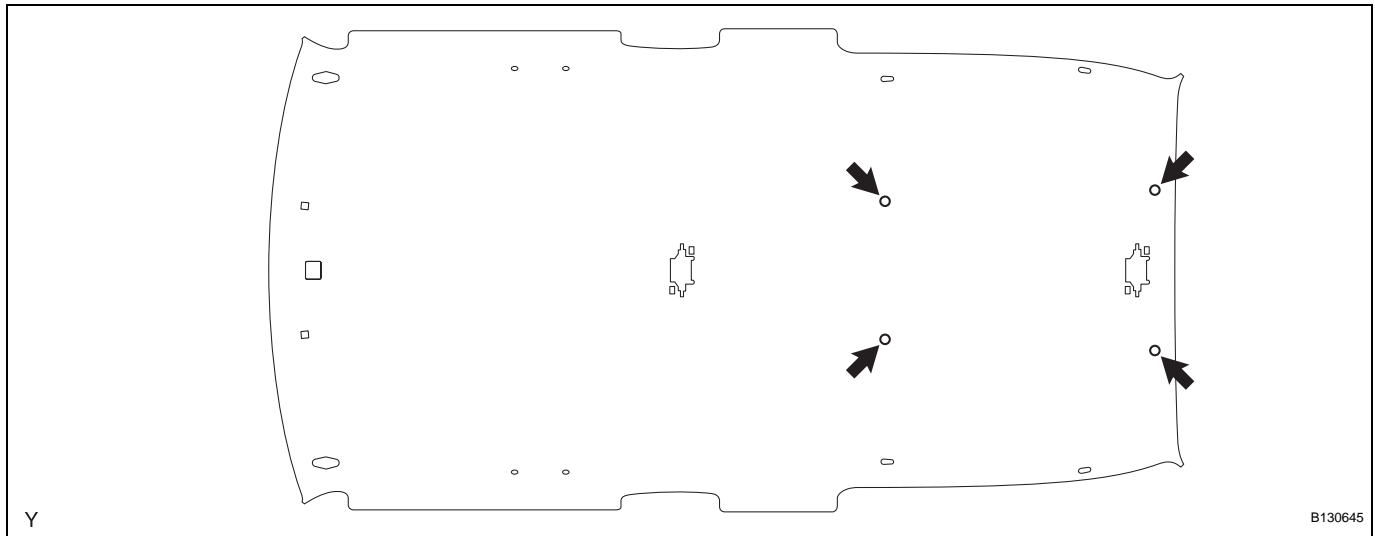
54. REMOVE ROOF HEADLINING

- (a) Remove the wire harness from the 2 clamps.
- (b) Disconnect the 2 connectors.
- (c) Using a clip remover, remove the clamp.



- (d) Using a clip remover, remove the 3 clamps and the connector.

(e) Using a clip remover, remove the 4 clips.



(f) Remove the roof headlining from the back door.

